

Click&Go

Safety Tested

Power charge

Wireless IR headphone ready

USB & camera connection

Click&Go - iPad cable free mount



User Quick Guide

Package includes:



1x



1x



1x



1x



1x



1x

Stanchion Mount installation

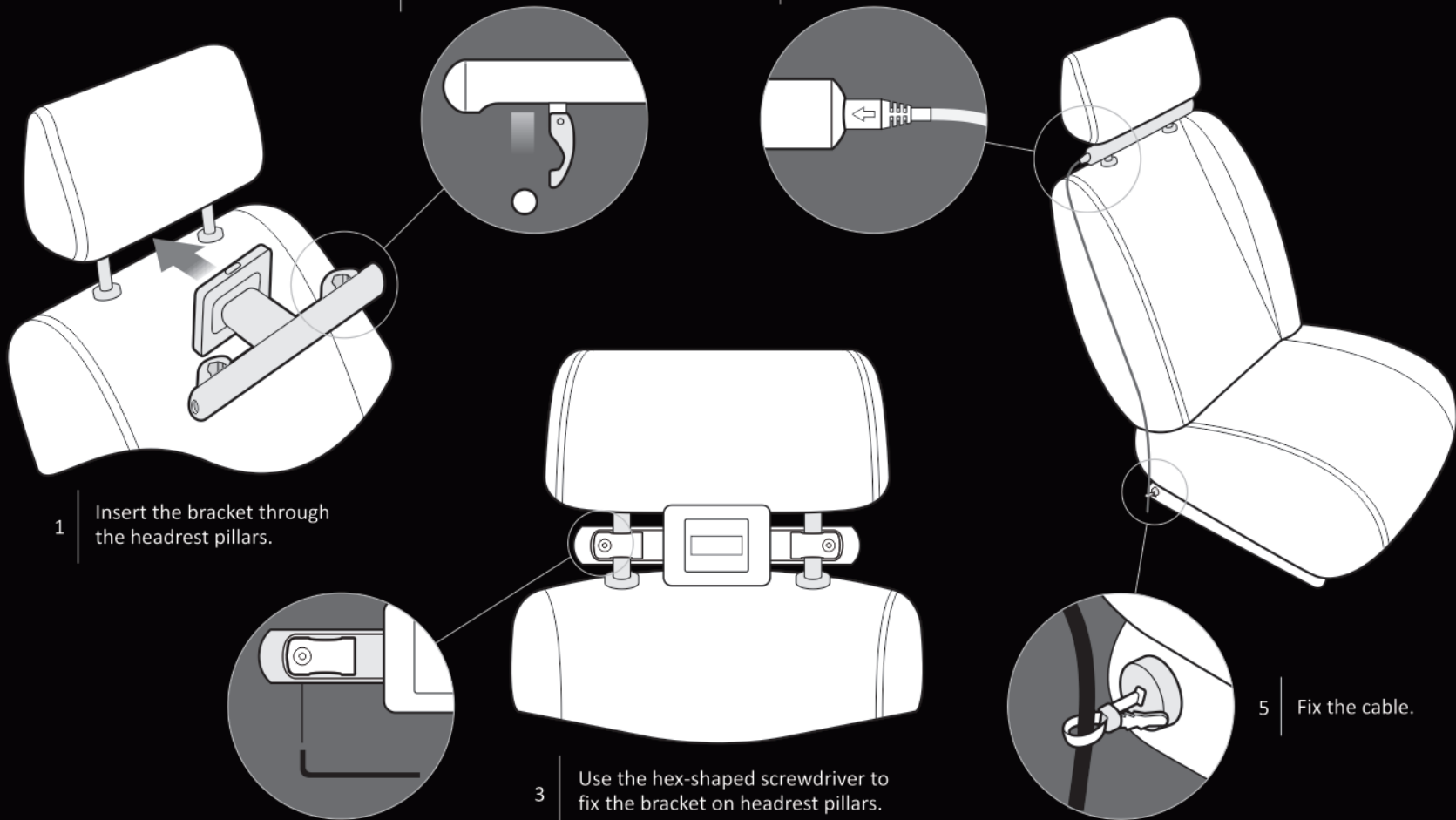
2 | Open bracket connectors.

4 | Connect the power.

5 | Fix the cable.

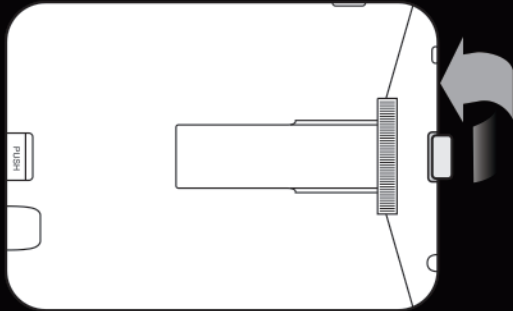
1 | Insert the bracket through the headrest pillars.

3 | Use the hex-shaped screwdriver to fix the bracket on headrest pillars.

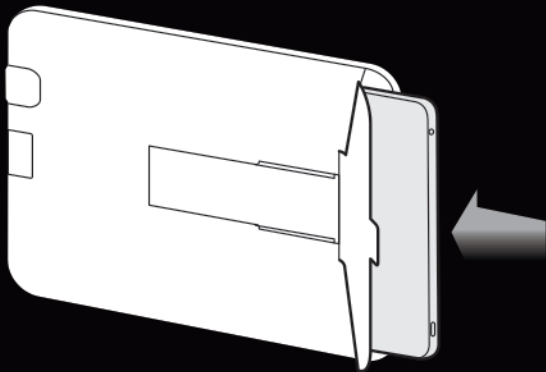


iPad Active Car Mount installation

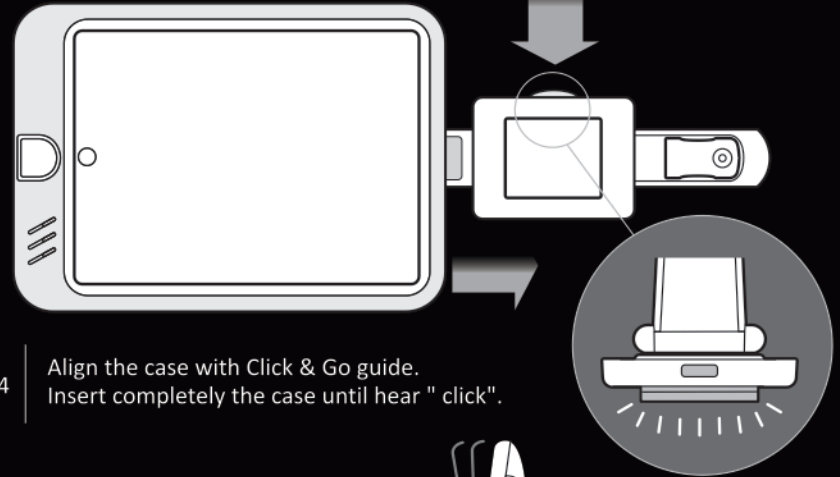
- 1 Pull gently to open the side door



- 2 Insert completely the iPad inside the case.
Close the side door.

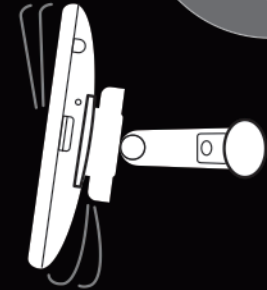


- 3 Press Click & Go button to open.



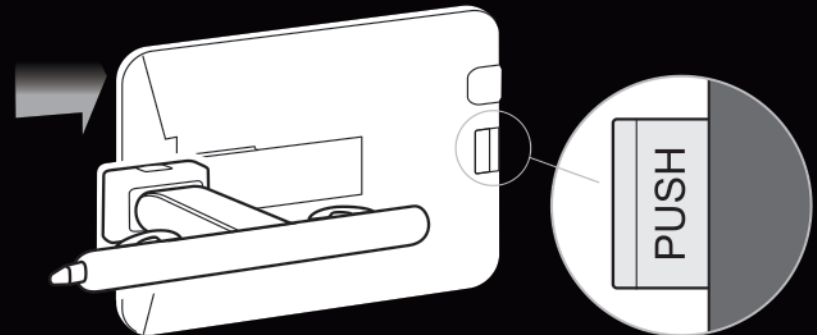
- 4 Align the case with Click & Go guide.
Insert completely the case until hear "click".

- 5 Adjustable visual angle up and down.



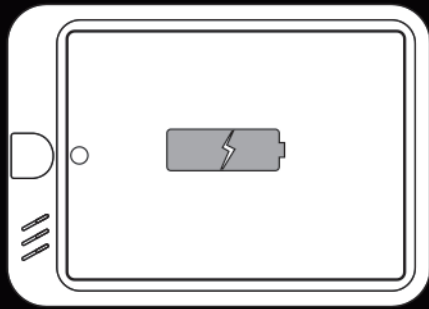
iPad Active Car Mount uninstallation

- 1 Push the button to release the case.

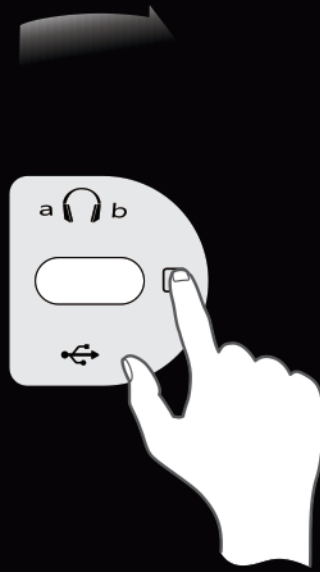


- 2 Pull out gently the case.

Operation



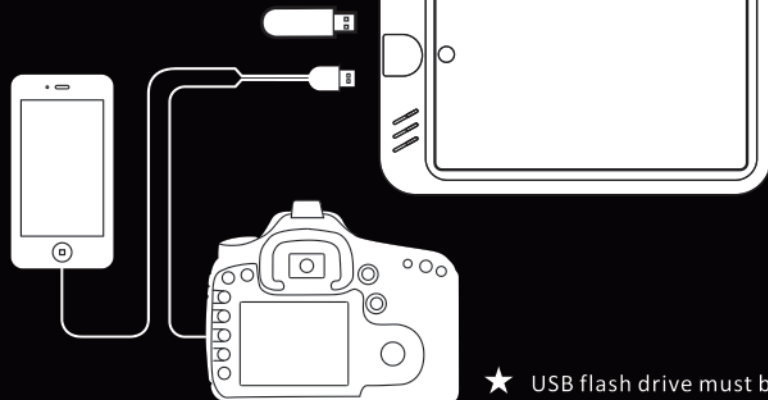
Power Charging



Wireless IR Headphones channels



USB data connection



★ USB flash drive must be in DCIM format ★